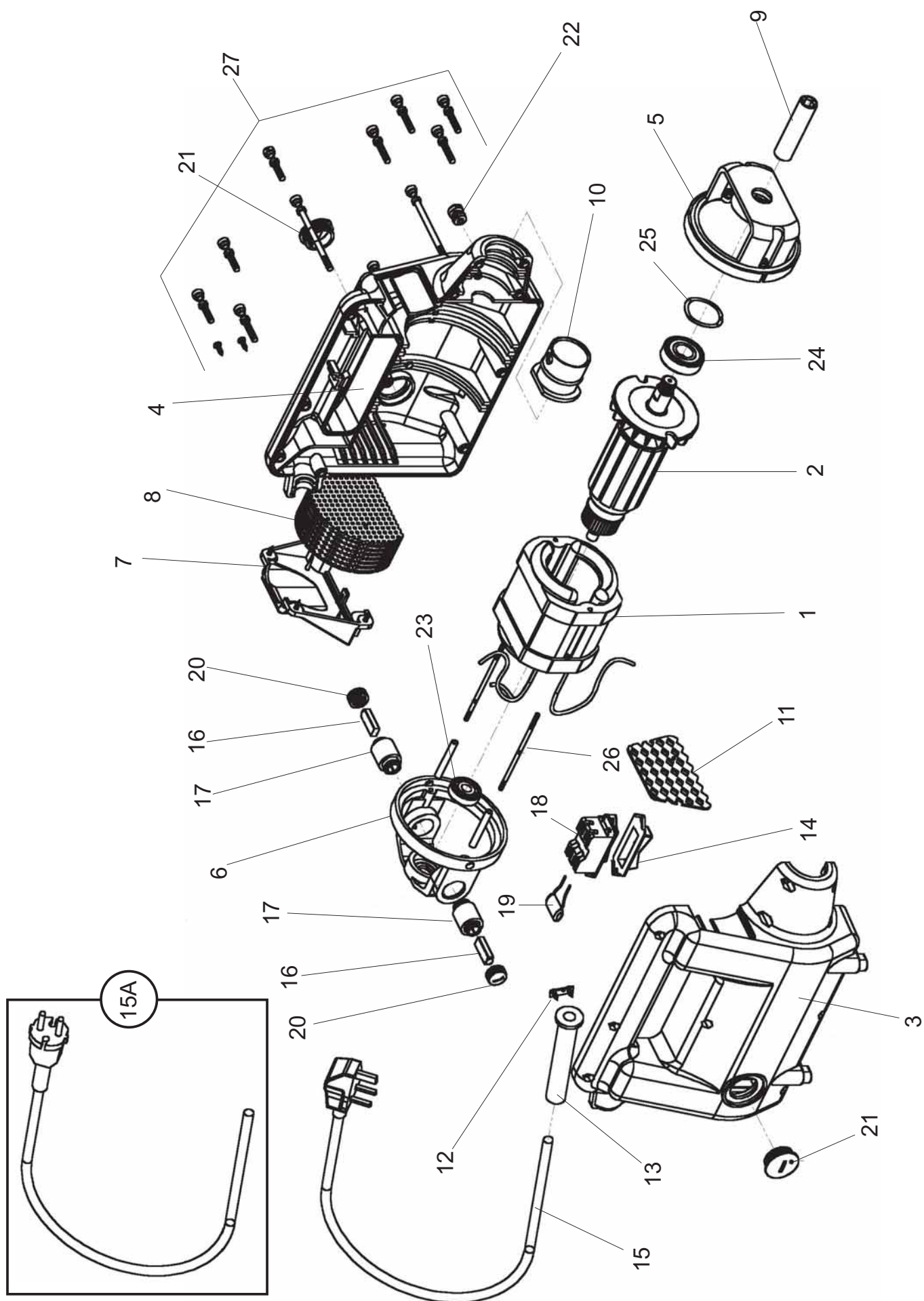
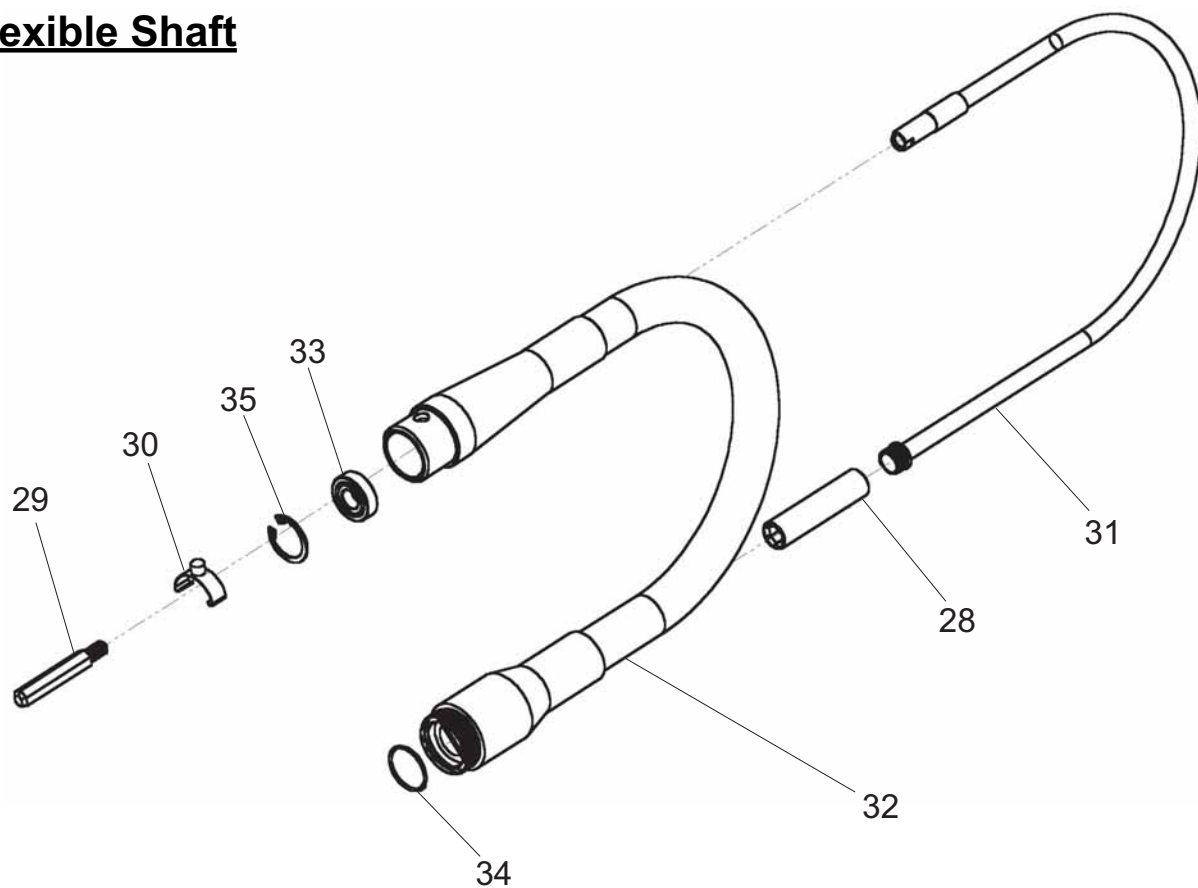


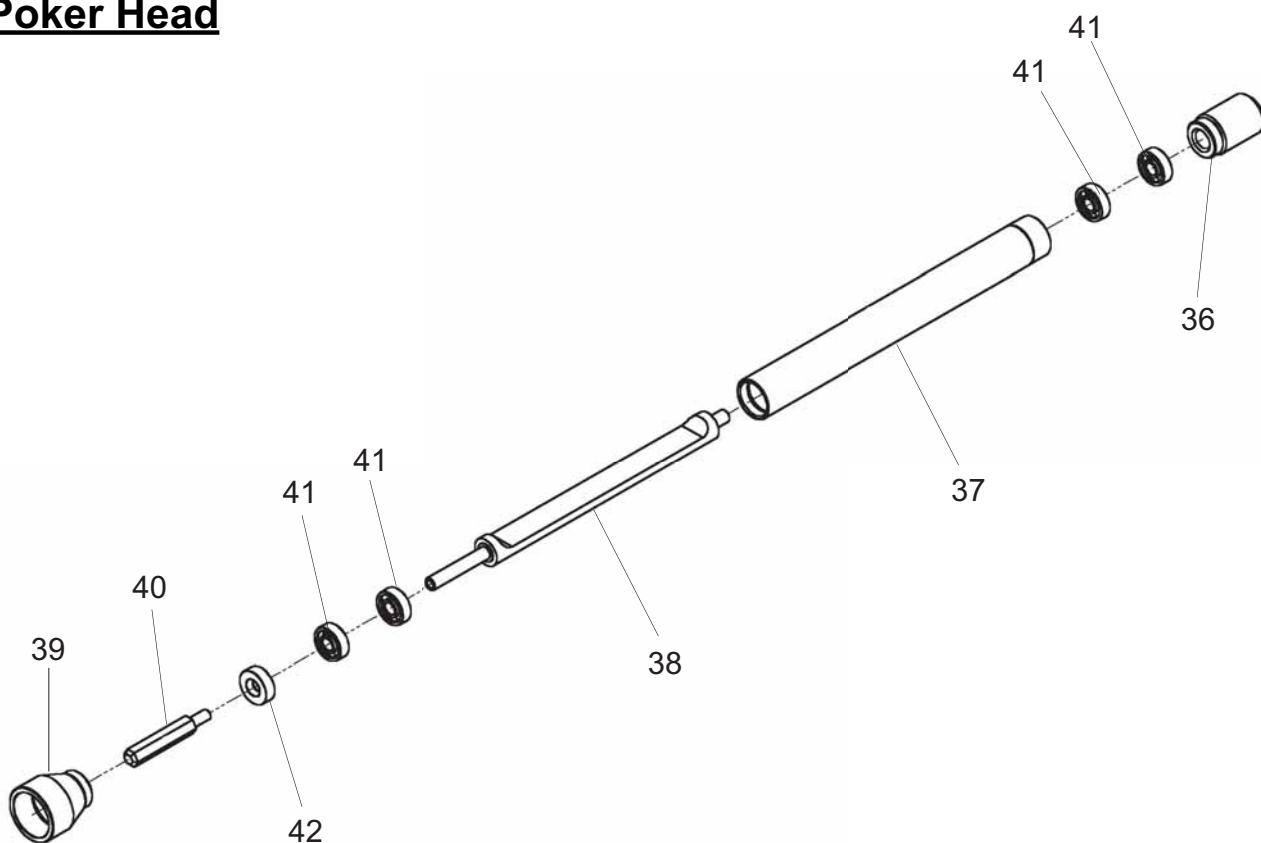
# Megavib+



**Flexible Shaft**



**Poker Head**



# Megavib+

| Item (1)<br>Number | Part No. (2) | Description (3)                                       | Quantity (4) |
|--------------------|--------------|---|--------------|
| 1                  | 244/99500    | STATOR COMPLETE (115V 60Hz) (UK)                      | 1            |
| 1                  | 244/99501    | STATOR COMPLETE (230V 50Hz) (CE)                      | 1            |
| 2                  | 244/99502    | ROTOR COMPLETE (115V 60Hz) (UK )                      | 1            |
| 2                  | 244/99503    | ROTOR COMPLETE (230V 50Hz) (CE)                       | 1            |
| 3                  | 244/99504    | ORANGE RIGHT HALF HOUSING                             | 1            |
| 4                  | 244/99505    | ORANGE LEFT HALF HOUSING                              | 1            |
| 5                  | 244/99506    | FRONT BRIDGE  | 1            |
| 6                  | 244/99507    | REAR BRIDGE   | 1            |
| 7                  | 244/99508    | FILTER COVER  | 1            |
| 8                  | 244/99509    | VENTILATION FILTER                                    | 1            |
| 9                  | 244/99510    | MOTOR DRAG  | 1            |
| 10                 | 244/99511    | HOSE FIXATION SPINDLE                                 | 1            |
| 11                 | 244/99512    | VENTILATION GRILLE                                    | 1            |
| 12                 | 244/99513    | CABLE FIXATION BRIDLE                                 | 1            |
| 13                 | 244/99514    | SMUGGLER CABLE Æ 11                                   | 1            |
| 14                 | 244/99515    | SILICONE SWITCH JOINT                                 | 1            |
| 15                 | 244/99516    | CONNECTION WIRE WITH PLUG 2Ph+T x 1.5 1 MTR LONG (UK) | 1            |
| 15A                | 244/99517    | CONNECTION WIRE WITH PLUG 2Ph+T x 1.5 1 MTR.LONG (CE) | 1            |
| 16                 | 244/99518    | BRUSHES   | 2            |
| 17                 | 244/99519    | BRUSH HOLDER  | 2            |
| 18                 | 244/99520    | SWITCH  | 1            |
| 19                 | 244/99521    | POLIESTER CONDENSER 470NF/275V 10% R=22,5x2           | 1            |
| 20                 | 244/99522    | BRUSH HOLDER PLUG                                     | 2            |
| 21                 | 244/99523    | PLUG COVER BRUSH                                      | 2            |
| 22                 | 244/99524    | BLIND PLUG LEFT COVER                                 | 1            |
| 23                 | 244/99525    | BEARING 6200-ZZ 10.30.9                               | 1            |
| 24                 | 244/99526    | BEARING 6203-ZZ 17.40.12                              | 1            |
| 25                 | 244/99527    | COMPENSATION WAVY WASHER Æ 40X33                      | 1            |
| 26                 | 244/99528    | SPECIAL LONG SCREW WITHOUT HEAD M4X100mm              | 2            |
| 27                 | 244/99529    | SCREW KIT   | 1            |
| 28                 | 244/99530    | HEXAGON FEMALE (HOSE SIDE)                            | 1            |
| 29                 | 244/99531    | HEXAGON MALE (MOTOR SIDE)                             | 1            |
| 30                 | 244/99532    | KIT FIXATION HOSE SPRING                              | 1            |
| 31                 | 244/99533    | COMPLETE TRANSMISSION SPRING (1 MTR)                  | 1            |
| 31                 | 244/99534    | COMPLETE TRANSMISSION SPRING (2 MTR)                  | 1            |
| 31                 | 244/99535    | COMPLETE TRANSMISSION SPRING (3 MTR)                  | 1            |
| 31                 | 244/99536    | COMPLETE TRANSMISSION SPRING (4 MTR)                  | 1            |
| 32                 | 244/99539    | COMPLETE HOSE WITH ENDS (1 MTR)                       | 1            |
| 32                 | 244/99540    | COMPLETE HOSE WITH ENDS (2 MTR)                       | 1            |
| 32                 | 244/99541    | COMPLETE HOSE WITH ENDS (3 MTR)                       | 1            |
| 32                 | 244/99542    | COMPLETE HOSE WITH ENDS (4 MTR)                       | 1            |
| 33                 | 244/99545    | 6.001 2RS (12x28x8)                                   | 1            |
| 34                 | 244/99546    | TORIC JOINT NBR 70° 25,5x1,5                          | 1            |
| 35                 | 244/99547    | SEGER RING INTERNAL DIAM. 28                          | 1            |

| Item (1)<br>Number | Part Number (2) |           |           |           | Description (3)   | Quantity (4) |
|--------------------|-----------------|-----------|-----------|-----------|-------------------|--------------|
|                    | 26              | 35        | 48        | 57        |                   |              |
| 36                 | 244/99548       | 244/99549 | 244/99550 | 244/99551 | CYLINDER TAP NUT  | 1            |
| 37                 | 244/99552       | 244/99553 | 244/99554 | 244/99555 | HOUSING CYLINDER  | 1            |
| 38                 | 244/99556       | 244/99557 | 244/99558 | 244/99559 | ECCENTRIC         | 1            |
| 39                 | 244/99560       | N/A       | 244/99561 | 244/99562 | REDUCTOR LINK NUT | 1            |
| 40                 | 244/99563       | 244/99564 | 244/99564 | 244/99564 | HEXAGON MALE      | 1            |
| 41                 | 244/99565       | 244/99566 | 244/99567 | 244/99568 | BEARING           | 4            |
| 42                 | 244/99569       | 244/99570 | 244/99571 | 244/99572 | SEAL CLAMP        | 1            |

(1) Item Number / numiro sur le schima / número de la ilustración / número da ilustração / afbeeldingsnummer / tegningsnummeret / Teil-Nummer / numero dell'illustrazione

(2) Part Number / Numiro de nfirence de la piéce / número de pieza / número da parte / stuknummer / Styknummer / Nummer auf der Abbildung / numero di parte

(3) Description / Disignation / Descrpcion / Descrinyo / Omschrijving / Beskrivelse / Bezeichnung / Descrizione

(4) Quantity / Quantiti / Cantidad / Cantidade / Hoeveelheid / Mengen / Mængde / Quantitù