



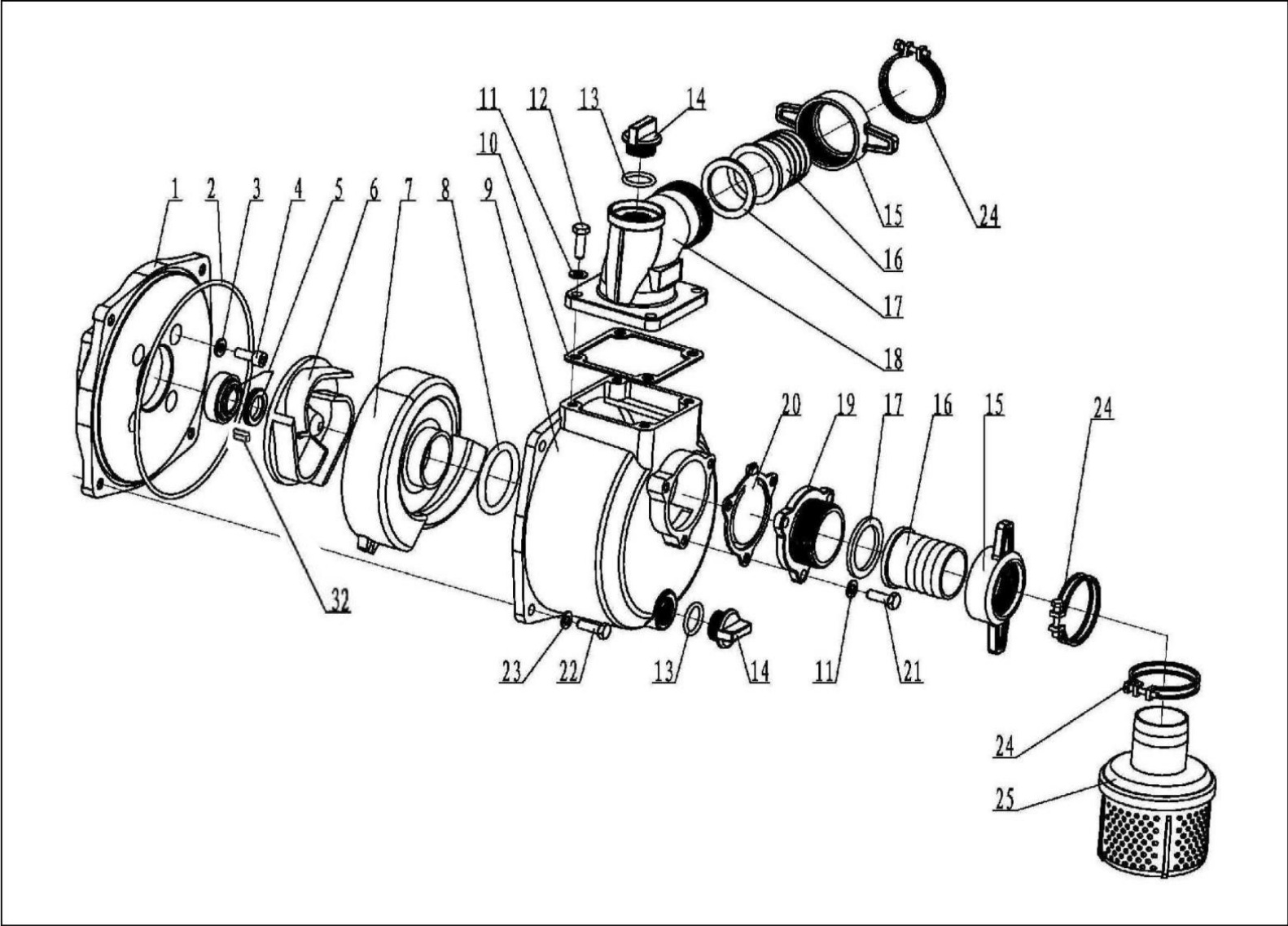
## Spareparts



**WP 20 HX**  
**WP 30 HX**  
**WPT 30 HX**

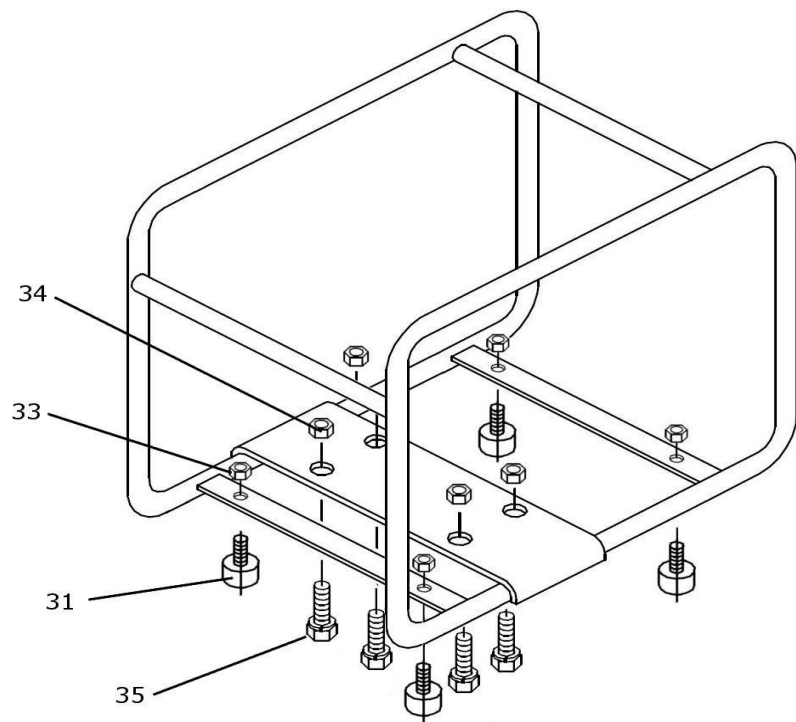
**CE**

MOTOPOMPA WP20



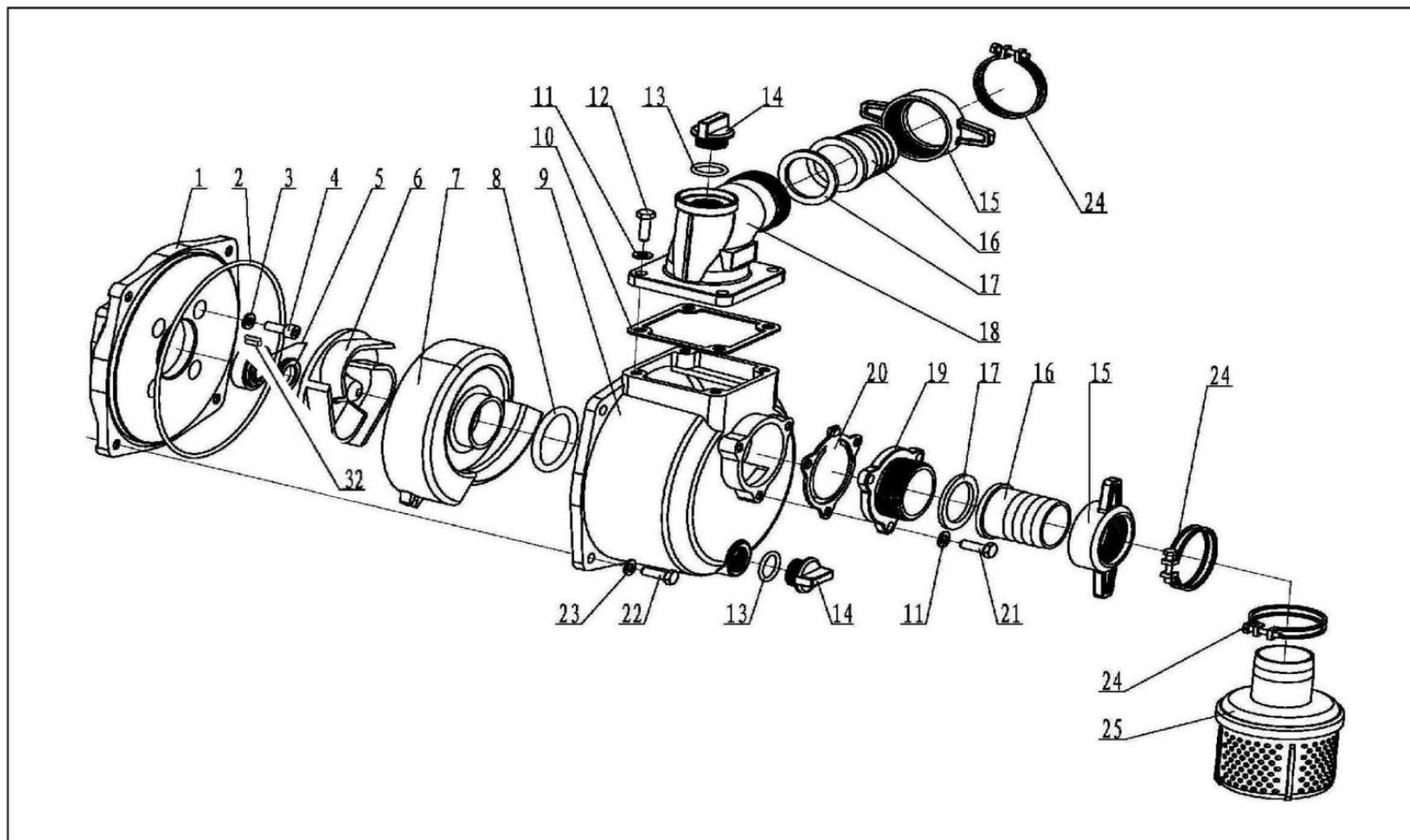
POS.	PART NO.	DESCRIPTION	Qty
1	SNB50- 1	PUMP COVER	1
2	SNB50- 2	O-RING 196*4	1
3	SNB50- 3	SEALED WASHER	4
4	SNB50- 4	HEXANGULAR BOLT M8*55	4
5	SNB50- 5	MECHANICAL SEAL	1
6	SNB50- 6	IMPELLER	1
7	SNB50- 7	DIFFUSER	1
8	SNB50- 8	O-RING 53*7	1
9	SNB50- 9	PUMP BODY	1
10	SNB50- 10	OUTLET'S SEALED WASHER	1
11	SNB50- 11	WASHER	7
12	SNB50- 12	HEXANGULAR BOLT M8*25	4

POS.	PART NO.	DESCRIPTION	Qty
13	SNB50- 13	O-RING 23.6*3.55	2
14	SNB50- 14	WHORL PLUG	2
15	SNB50- 15	SPANNER (ALUMINUM)	2
	290130233	SPANNER (PLASTIC)	2
16	SNB50- 16	PIPE (ALUMINUM)	2
	290130231	PIPE (PLASTIC)	2
17	SNB50- 17	SEALED WASHER	2
18	SNB50- 18	OUTLET FLANGE	1
19	SNB50- 19	INLET FLANGE	1
20	SNB50- 20	CHECK VALVE	1
21	SNB50- 21	HEXANGULAR BOLT M8*20	3
22	SNB50- 22	HEXANGULAR BOLT M8*25	4
23	SNB50- 23	WASHER	4
24	SNB50- 24	CLAMP	3
25	SNB50- 25	STRAINER	1
32	SNB50- 32	KEY	1

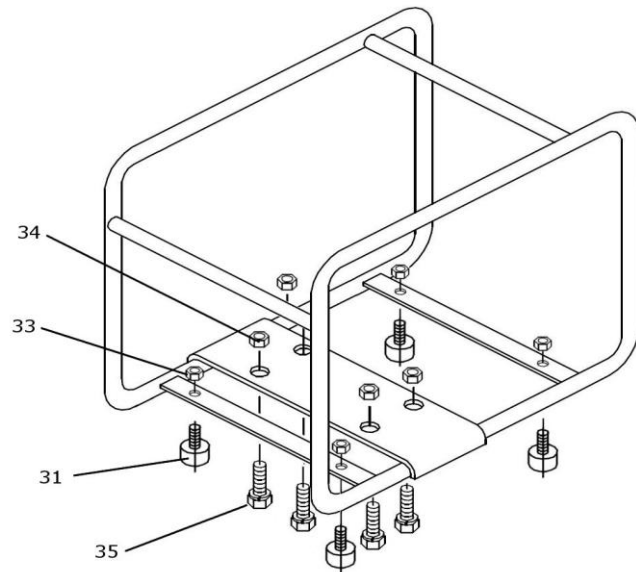


POS.	PART NO.	DESCRIPTION	Qty
31	SNB50- 0	FRAME RUBBER	4

# MOTOPOMPA WP30



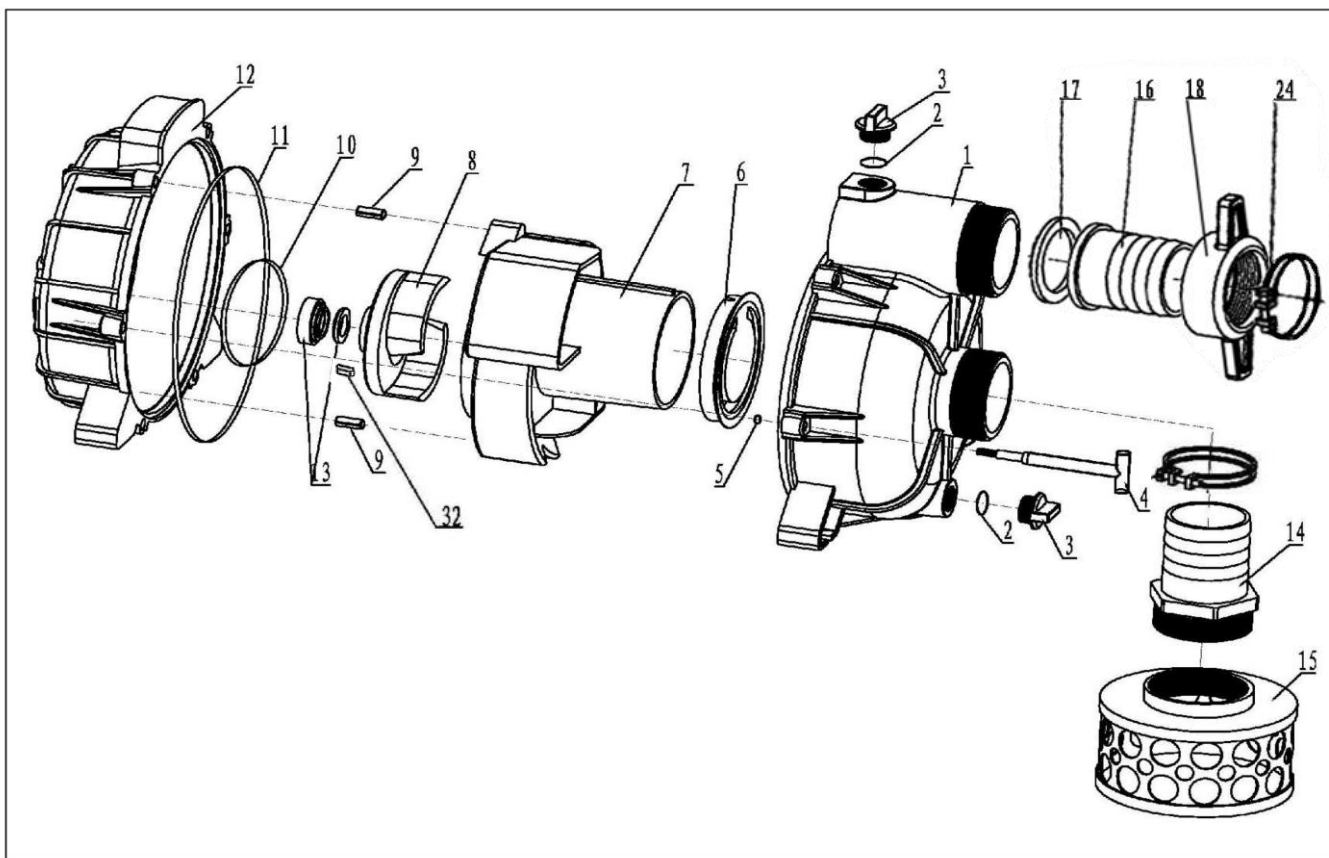
POS.	PART NO.	DESCRIPTION	Qty
1	SNB80- 1	PUMP COVER	1
2	SNB80- 2	O-RING 220*4	1
3	SNB80- 3	SEALED WASHER	4
4	SNB80- 4	HEXANGULAR BOLT M8*55	4
5	SNB80- 5	MECHANICAL SEAL	1
6	SNB80- 6	IMPELLER	1
7	SNB80- 7	DIFFUSER	1
8	SNB80- 8	O-RING 73*7	1
9	SNB80- 9	PUMP BODY	1
10	SNB80- 10	OUTLET'S SEALED WASHER	1
11	SNB80- 11	WASHER	7
12	SNB80- 12	HEXANGULAR BOLT M10*25	4



POS.	PART NO.	DESCRIPTION	Qty
13	SNB80- 13	O-RING 23.6*3.55	2
14	SNB80- 14	WHORL PLUG	2
15	SNB80- 15	SPANNER (ALUMINUM)	2
	290130234	SPANNER (PLASTIC)	2
16	SNB80- 16	PIPE (ALUMINUM)	2
	290130232	PIPE (PLASTIC)	2
17	SNB80- 17	SEALED WASHER	2
18	SNB80- 18	OUTLET FLANGE	1
19	SNB80- 19	INLET FLANGE	1
20	SNB80- 20	CHECK VALVE	1
21	SNB80- 21	HEXANGULAR BOLT M10*20	3
22	SNB80- 22	HEXANGULAR BOLT M10*25	4
23	SNB80- 23	WASHER	4
24	SNB80- 24	CLAMP	3
25	SNB80- 25	STRAINER	1
31	SNB50- 0	FRAME RUBBER	4
32	SNB50- 32	KEY	1

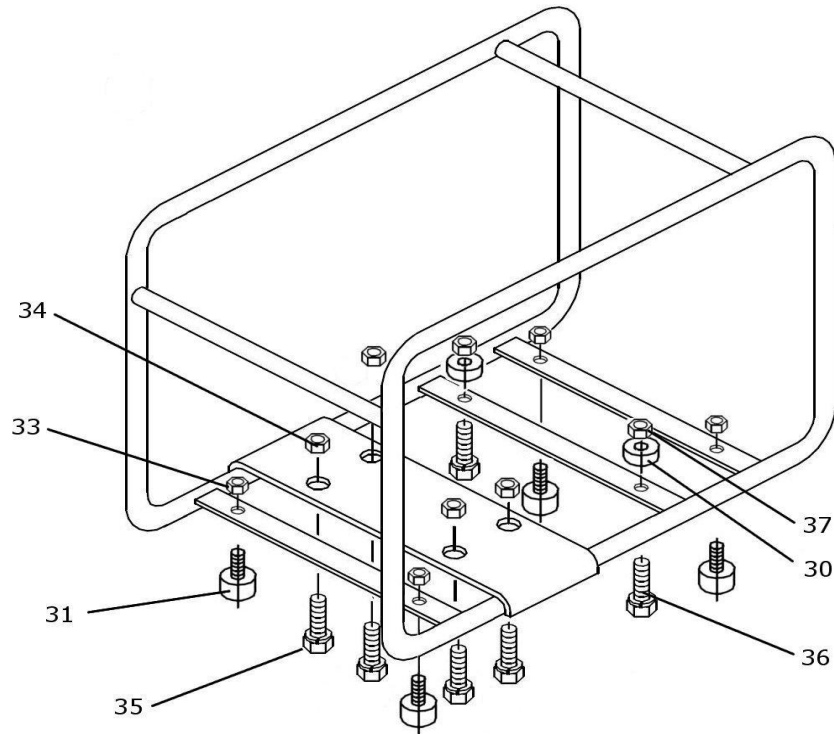
POS.	PART NO.	DESCRIPTION	Qty
31	SNB50- 0	FRAME RUBBER	4

# MOTOPOMPA WPT30



POS.	PART NO.	DESCRIPTION	Qty
1	WB80- 1	Pump body	1
2	WB80- 2	O-ring 18x2.65	2
3	WB80- 3	Whorl plug	2
4	WB80- 4	T type screw	6
5	WB80- 5	O-ring 5x2.65	6
6	WB80- 6	Check valve	1
7	WB80- 7	Diffuser	1
8	WB80- 8	Impeller	1

POS.	PART NO.	DESCRIPTION	Qty
9	WB80- 9	Springiness column pin	9
10	WB80- 10	O-ring 125x2.65	1
11	WB80- 11	O-ring 260x5	1
12	WB80- 12	Pump cover	1
13	WB80- 13	Mechanical seal	1
14	WB80- 14	Hexangular hose joint	1
15	WB80- 15	Strainer	1
16	SNB80- 16	PIPE (ALUMINUM)	2
	290130232	PIPE (PLASTIC)	2
17	SNB80- 17	SEALED WASHER	2
18	SNB80- 15	SPANNER (ALUMINUM)	2
	200200710	SPANNER (ALUMINUM) NPSH	2
24	SNB50- 24	CLAMP	3
32	SNB100- 32	KEY	1



POS.	PART NO.	DESCRIPTION	Qty
30	SNB100- 30	PUMP RUBBER	2
31	SNB100- 0	FRAME RUBBER	4