

EPDM BUISBEUGEL "CLASSIC"  
DUBBELE BOUTBEVESTIGING  
COMBIMOER M8/M10



## Description

Two-screw pipe clamp is produced as from a dimension of 1/4" to 8" (12–219 mm).

Pipe clamps of a dimension of 1/4" to 6/4" are equipped with an M8 clamping head and pipe clamps of dimensions of 54–59 mm to 210–219 mm (8") are equipped with a more massive M8/M10 clamping head and a combined thread.

- Compact structural design of the clamp enables simple and full piping insulation without larger overlap in the area of the toggle and closing device.
- All this is possible even using a small thickness of insulating material.
- Screws have a combined head with a cross and a slot.
- The pipe clamp is checked regarding noise protection according to DIN 4109.
- It prevents the action of electrolysis.
- M8/M10 clamping head with a combined thread starting with a dimension of 54–59 mm enables universal connection.
- Temperature resistivity of up to 225 °C is ensured in combination with a silicone D R profile.
- Two-screw pipe clamps satisfy the highest requirements while mounting on walls, ceilings and floors but also in connection with pipes used in sanitary installations.

## Technical data

- **Load causing break in centric tension**

- 12–16 mm až 48–53 mm: 3,0 kN
- 54–59 mm až 67–71 mm: 4,1 kN
- 72–78 mm až 102–116 mm: 8,2 kN
- 121–127 mm až 210–219 mm: 10,8 kN

- **Maximum safe centric load:**

- 12–16 mm až 48–53 mm: 0,8 kN
- 54–59 mm až 67–71 mm: 2,1 kN
- 72–78 mm až 102–116 mm: 2,5 kN
- 102–116 mm EKO: 1,9 kN
- 121–127 mm až 210–219 mm: 3,0 kN

- **Maximum safe centric load:**

Min. 25 N/m

- **Pipe clamp material:**

ČSN 11 320.21

- **Surface coating:**

zinc-plated

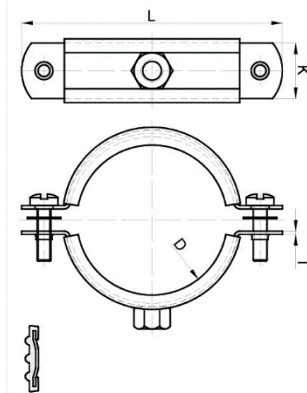
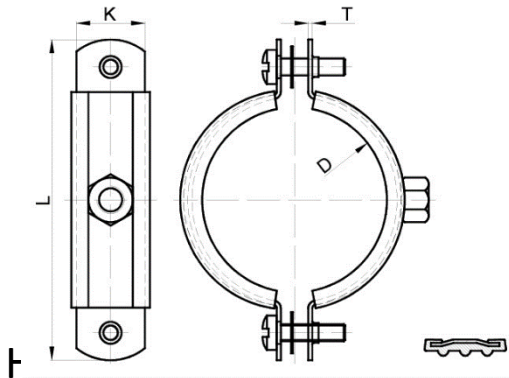
- **Certificate:**

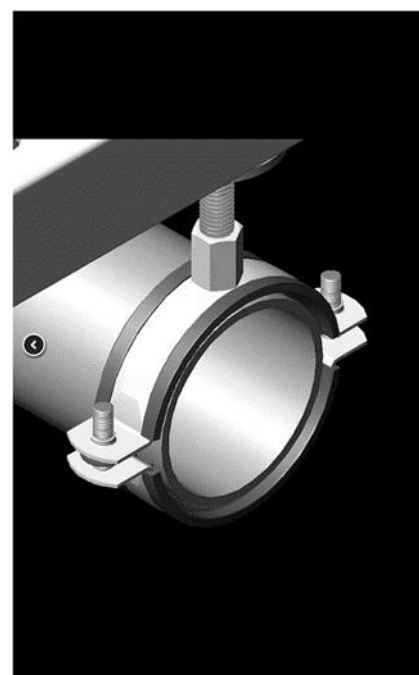
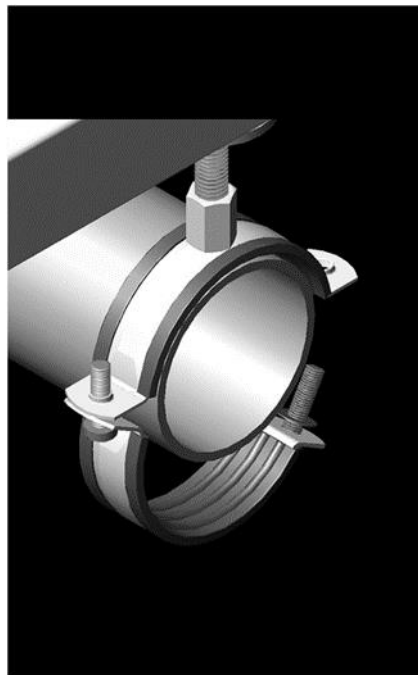
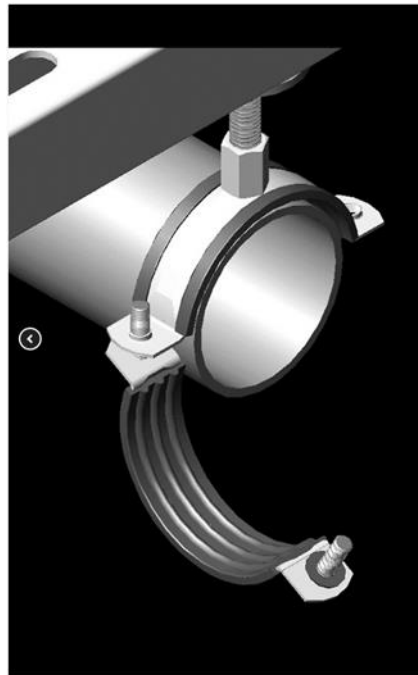
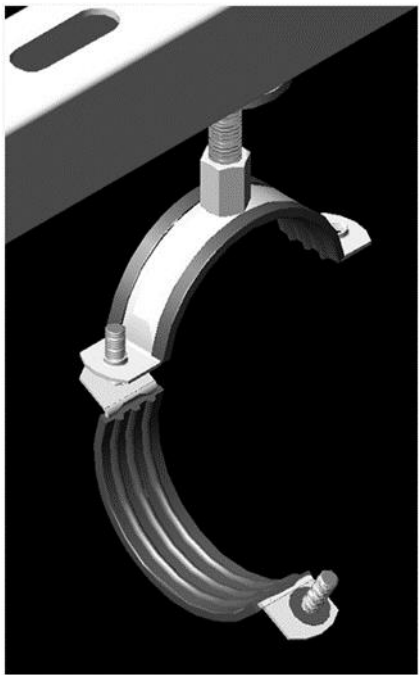
TZUS: č.204/C5/2013/070-045127

**KOŇAŘÍK**<sup>®</sup>  
závěsová technika



Konarik Partnr.	WT ARTIKELNUMMER			Type	Afmeting Klemdiameter		Schroef D x L	Band Breedte x Dikte	Inhoud					
	Industrial pack Fabric pack	WT system Retail pack	WT system Small pack		ø mm	"mm			I-pack/pcs Pack Carton	R-pack/pcs Pack Carton	S-pack/pcs Pack Carton			
12006064	IEVZIMCE060064-0050	X	X	M8/M10	60-64	2"	M6 x 20 mm	20 x 1,5	50	250				
12006771	IEVZIMCE067071-0050	X	X	M8/M10	67-71	-	M6 x 20 mm	20 x 1,5	50	500				
12007278	IEVZIMCE072078-0050	X	X	M8/M10	72-78	2 1/2"	M6 x 20 mm	25 x 1,5	50	500				
12008186	IEVZIMCE081086-0050	X	X	M8/M10	81-86	-	M6 x 25 mm	25 x 1,5	50	500				
12008792	IEVZIMCE087092-0050	X	X	M8/M10	87-92	3"	M6 x 25 mm	25 x 1,5	50	500				
12095103	IEVZIMCE095103-0050	X	X	M8/M10	95-103	-	M6 x 30 mm	25 x 1,5	50	500				
12102116	IEVZIMCE102116-0050	X	X	M8/M10	102-116	4"	M6 x 30 mm	25 x 2	50	500				
UITLOPER	IEVZIMCE113118-0025	X	X											
12121127	IEVZIMCE121127-0025	X	X	M8/M10	121-127	-	M8 x 30 mm	25 x 2,5	25	250				
UITLOPER	IEVZIMCE131135-0025	X	X											
12133141	IEVZIMCE133141-0025	X	X	M8/M10	133-141	5"	M8 x 30 mm	25 x 2,5	25	100				
UITLOPER	IEVZIMCE148152-0025	X	X											
12159168	IEVZIMCE159168-0025	X	X	M8/M10	159-168	6"	M8 x 30 mm	25 x 2,5	25	100				
12164170	IEVZIMCE164170-0025	X	X	M8/M10	164-170	-	M8 x 30 mm	25 x 2,5	25	250				
12182188	IEVZIMCE182188-0020	X	X	M8/M10	182-188	-	M8 x 30 mm	25 x 2,5	20	200				
12193203	IEVZIMCE193203-0015	X	X	M8/M10	193-203	-	M8 x 30 mm	25 x 2,5	15	150				
12200210	IEVZIMCE204210-0012	X	X	M8/M10	204-210	-	M8 x 30 mm	25 x 2,5	12	120				
12210219	IEVZIMCE210219-0012	X	X	M8/M10	210-219	8"	M8 x 30 mm	25 x 2,5	12	150				
UITLOPER	IEVZIMCE223228-0025	X	X											
UITLOPER	IEVZIMCE249254-0025	X	X											
UITLOPER	IEVZIMCE299304-0025	X	X											





GEBRUIK DEZE BEVESTIGINGSMATERIALEN :

**MONTAGESET**

