

WANDCONSOLE MET COVER  
MONTAGECONSOLE VOOR RAILS  
STAAL VERZINKT

**KOŇAŘÍK**<sup>®</sup>  
závěsová technika



**Description:**

Cantilever arms are used mainly for the fixing of pipes directly to walls. Other applications involve fixing and constructions on ceilings and floors.

A wide range of structural designs can be created using the cantilever arms in connection with fixing rails and other components.

The cantilever arms include a removable plastic cap.

Material : Zinc plated – DX51D

**ADVANTAGE:**

Custom production of non-standard lengths.

Massive and stable attachment.

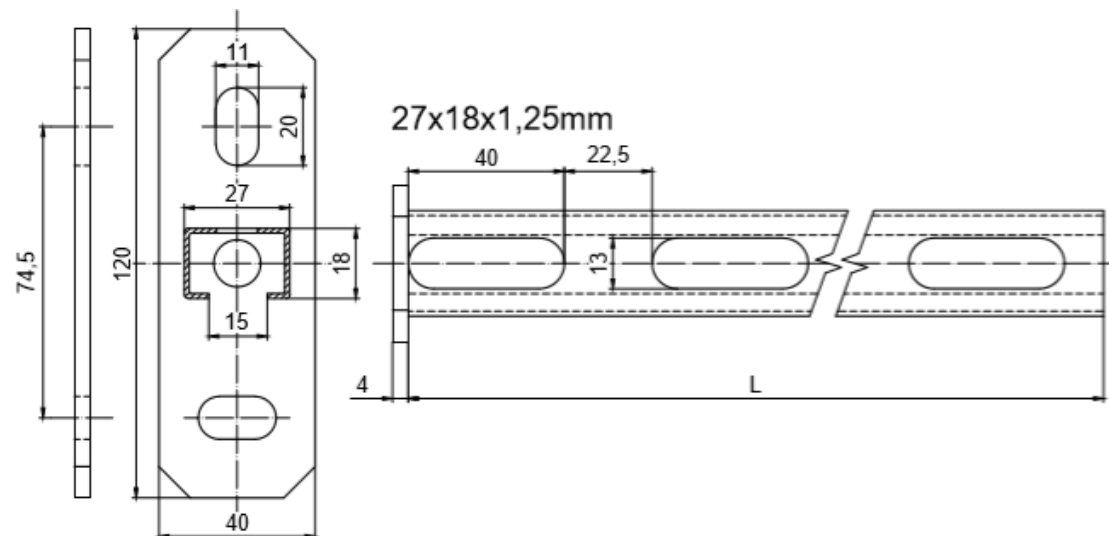
Wide range of dimensions and lengths.

High quality surface finish for long life.

Supply No.	Name	Size of base plate	Hole spacing	Lenght	Type	Thickness	Package
		L (mm)	(mm)	L (mm)		T (mm)	(pcs)
32271820	Cantilever arm 27/18×200 mm 1,25 + removable plastic cap	120 × 40	74,5	200	27/18	1,25	20
32271830	Cantilever arm 27/18×300 mm 1,25 + removable plastic cap	120 × 40	74,5	300	27/18	1,25	20
32271850	Cantilever arm 27/18×500 mm 1,25 + removable plastic cap	120 × 40	74,5	500	27/18	1,25	10
32271860	Cantilever arm 27/18×600 mm 1,25 + removable plastic cap	120 × 40	74,5	600	27/18	1,25	10

## CROSS REFERENCE TABEL :

Konarik Partnr.	WT ARTIKELNUMMER			Inhoud					
	Industrial pack Fabric pack	WT system Retail pack	WT system Small pack	I-pack/pcs Pack Carton		R-pack/pcs Pack Carton		S-pack/pcs Pack Carton	
32271820	IVVCIZM-C2718200-020	x	x	20	200				
32271830	IVVCIZM-C2718300-020	x	x	20	200				
32271850	IVVCIZM-C2718500-010	x	x	10	100				
32271860	IVVCIZM-C2718600-001	x	x	10	100				



# HOW TO USE:

