

## EPDM BUISBEUGEL “QUICK” ENKELE BOUTBEVESTIGING SCHARNIERPUNT



MOER M8

### DESCRIPTION:

Single-screw pipe clamp is produced as from a dimension of 1/8“ to 4“.

Single-screw pipe clamp system is equipped with a quick-clamping catch fastener for easy, fast and safe mounting.

It is characterized by sufficient stiffness and good anticorrosive protection.

Pipe clamp is equipped with clamping head M8 in dimensions from 1/8" to 2”.

### FIELDS:

Water, heat, gas

Steam pipes and chimneys (combined  
with a silicone profile)

Waste pipes

Pneumatic tube

### USE:

Steel pipes

Plastic pipes

Copper pipes

Cast iron pipes

Glass pipes

## ADVANTAGES:

It enables one-hand mounting.

A pipe is preassembled by mere snapping.

The quick-clamping system protects the clamp against uncontrollable opening after snapping.

Compact structural design of the clamp enables simple and full piping insulation without larger overlap in the area of the toggle and closing device. All this is possible even using a small thickness of insulating material.

It prevents the action of electrolysis.

Single-screw pipe clamps with a snap lock satisfy the highest requirements while mounting on walls, ceilings and floors but also in connection with pipes used in sanitary installations.

The pipe clamp is checked regarding noise protection according to DIN 4109.

This product is registered at [European Designs](#).

## TECHNICAL DATA OF PIPE CLAMP:

Load causing break due to centric tension: 1,8 kN

Maximum safe centric load: 0,8 kN

Pipe clamp material: DIN EN 10111

Surface coating: zinc plated

Certificate: TZUS:No.204/C5/2013/070-045127



## TECHNICAL DATA OF RUBBER LINING:

Material:

EPDM

Reaction to fire:

DIN 4102:1998

Building material class:

B2

Use within temperature range:

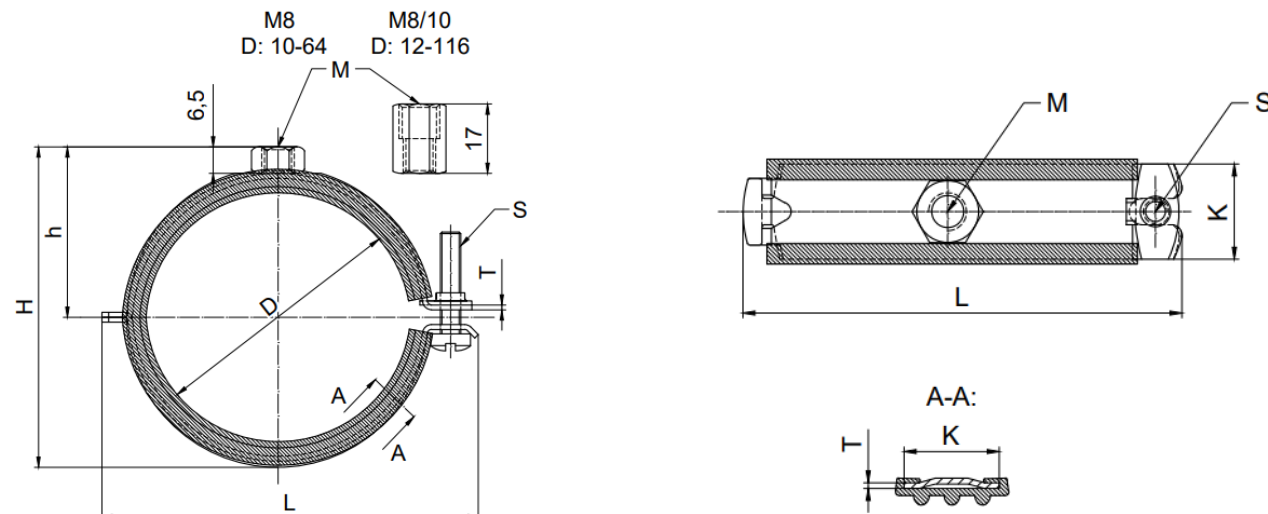
from -50°C to +120°C

Hardness of rubber lining:

45° ±5 Shore A/15s

Noise protection:

DIN 4109

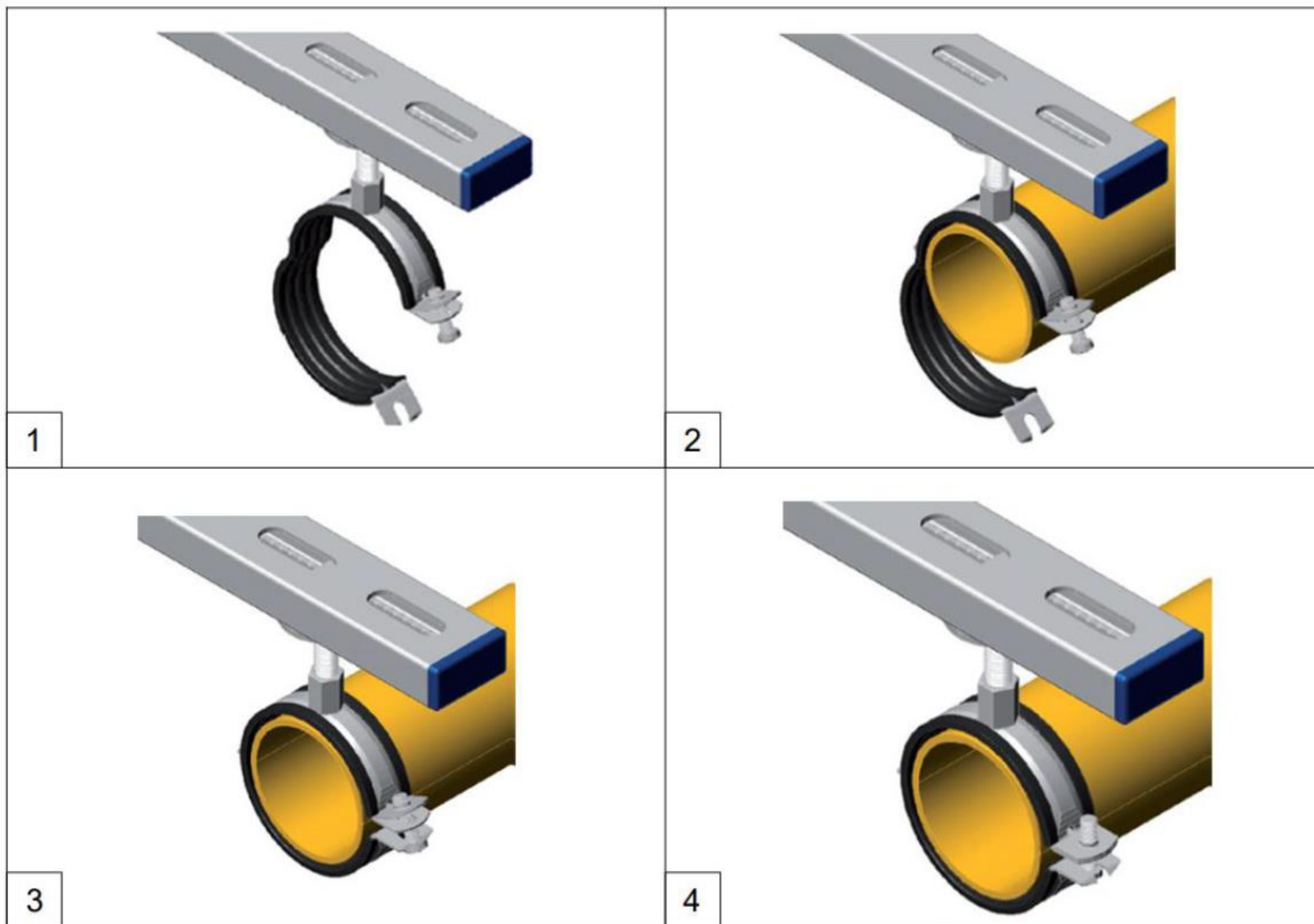


Supply No.	Name	D (mm)	D (")	DN (mm)	M Nut	S Screw	K (mm)	L (mm)	T (mm)	H (mm)	h (mm)	Package (pcs)
11001012	Single-screw pipe clamp M8 10-12mm 1/8"	10-12	1/8	6	M8	M5 x 25 mm	20	41	1	29,5	19	100
11001216	Single-screw pipe clamp M8 12-16mm 1/4"	12-16	1/4	8	M8	M5 x 25 mm	20	48	1	33,5	21	100
11001719	Single-screw pipe clamp M8 17-19mm 3/8"	17-19	3/8	10	M8	M5 x 25 mm	20	51	1	36,5	22,5	100
11002023	Single-screw pipe clamp M8 20-23mm 1/2"	20-23	1/2	15	M8	M5 x 25 mm	20	57	1	40,5	24,5	100
11002530	Single-screw pipe clamp M8 25-30mm 3/4"	25-30	3/4	20	M8	M5 x 25 mm	20	71	1	47,5	28	100
11003138	Single-screw pipe clamp M8 31-38mm 1"	31-38	1	25	M8	M5 x 25 mm	20	65	1	55,5	32	100
11004046	Single-screw pipe clamp M8 40-46mm 5/4"	40-46	5/4	32	M8	M5 x 25 mm	20	79	1	63,5	36	100
11004853	Single-screw pipe clamp M8 48-53mm 6/4"	48-53	6/4	40	M8	M5 x 25 mm	20	88	1	70,5	39,5	50
11006064	Single-screw pipe clamp M8 60-64mm 2"	60-64	2	50	M8	M5 x 25 mm	20	100	1,2	81,9	45,4	50

## CROSS-REFERENCE TABLE :

Konarik Partnr.	WT ARTIKELNUMMER			Type	Afmeting Klemdiameter		Schroef D x L	Band Breedte x Dikte	Inhoud						
	Industrial pack Fabric pack	WT system Retail pack	WT system Small pack		ø mm	"mm			I-pack/pcs Pack	I-pack/pcs Carton	R-pack/pcs Pack	R-pack/pcs Carton	S-pack/pcs Pack	S-pack/pcs Carton	
11001012	IBVZIMQE010012-0100			M8	10-12	1/8"	M5 x 25 mm	20 x 1,0	100						
11001216	IBVZIMQE012016-0100	IBVZRWTQE012016-0020	IBVZSWTQE012016-Z001	M8	12-16	1/4"	M5 x 25 mm	20 x 1,0	100			20	10x20	1	100x1
11001719	IBVZIMQE017019-0100	IBVZRWTQE017019-0020	IBVZSWTQE017019-Z001	M8	17-19	3/8"	M5 x 25 mm	20 x 1,0	100			20	10x20	1	100x1
11002023	IBVZIMQE020023-0100	IBVZRWTQE020023-0020	IBVZSWTQE020023-Z001	M8	20-23	1/2"	M5 x 25 mm	20 x 1,0	100			20	10x20	1	100x1
11002530	IBVZIMQE025030-0100	IBVZRWTQE025030-0020	IBVZSWTQE025030-Z001	M8	25-30	3/4"	M5 x 25 mm	20 x 1,0	100			20	10x20	1	100x1
11003138	IBVZIMQE031038-0100	IBVZRWTQE031038-0020	IBVZSWTQE031038-E001	M8	31-38	1"	M5 x 25 mm	20 x 1,0	100			20	10x20	1	100x1
11004046	IBVZIMQE040046-0100	IBVZRWTQE040046-0010	IBVZSWTQE040046-E001	M8	40-46	5/4"	M5 x 25 mm	20 x 1,0	50			10	10x10	1	100x1
11004853	IBVZIMQE048053-0050	IBVZRWTQE048053-0010	IBVZSWTQE048053-E001	M8	48-53	6/4"	M5 x 25 mm	20 x 1,0	50			10	10x10	1	100x1
11006064	IBVZIMQE060064-0050	IBVZRWTQE060064-0010	IBVZSWTQE060064-E001	M8	60-64	2"	M5 x 25 mm	20 x 1,2	50			10	10x10	1	100x1

# HOW TO USE :



ADVIES : GEBRUIK DEZE BEVESTIGINGSMATERIALEN :

